

Authorized  
Distributor  
of Hindalco  
& Nalco

**Phone: 91-11-23619933**

**Mobile No: 9891300031**

**Email: amit.bhuraria@gmail.com**

**Website: [www.malc.co.in](http://www.malc.co.in)**





Phone: 91-11-23619933  
Mobile No: 9891300031  
Email: amit.bhuraria@gmail.com  
Website: www.malc.co.in



## Introduction

Maheshwari Co. was established in 1978; primarily for the distribution of aluminium and its products across India. Maheshwari Co. is an authorized distributor of Hindalco and Nalco.

We are one of the largest suppliers of aluminium extrusions and rolled products in India.

We also source material from small producers and importers. Maheshwari Co. prides itself in maintaining sufficient stock to cater to customer requirements.

We are planning to open an automated warehouse with cutting facilities using CNC machines.





## Motive

Our mission is to provide customer satisfaction by delivering high quality and competitively-priced aluminium products in a timely manner.

Our aim is to grow 10 fold in the next 5 years and foray into the steel business as well.

We are open to joint ventures with other suppliers and manufacturers for specific alloys, architectural fabrications, and premium surface finishes.

## Vision

Our vision is to become a major global presence in the premium metals market, with an emphasis on going above and beyond.

## Presence

We have PAN India Presence. Our Head Offices are located in Delhi and Nepal.



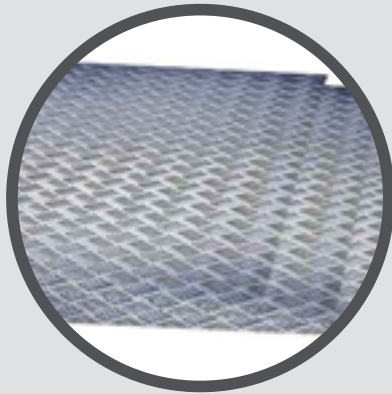


## Our Products

- Aluminium Roofing Sheets - Corrugated, Industrial Tough, Metro
- Aluminium Sheets
- Aluminium Seamless Roofing Sheets
- Aluminium Coils
- Aluminium Profiles for Doors & Windows
- Aluminium Glazing Profiles
- Aluminium Sections
- Aluminium Heat Sink Profiles
- Aluminium Chequered Sheets
- Hardware Fitting for Door & Windows
- Aluminium Wire Mesh
- Aluminium Perforated Sheets
- Aluminium Profiles for Solar Frames
- Aluminium Scaffolding Profiles
- Aluminium Round Tubes
- Aluminium Pipes
- Aluminium Flats & Tubes for Bus Bars / Control Panels
- Aluminium Extrusions
- Hardware for Aluminium Windows & Doors



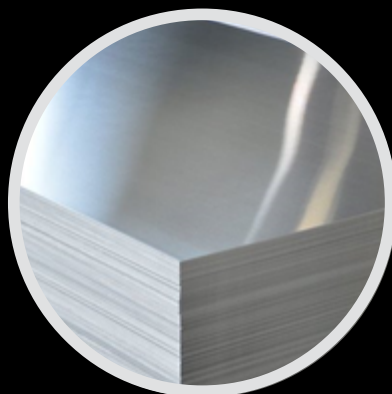
**ALUMINIUM ROUND TUBES**



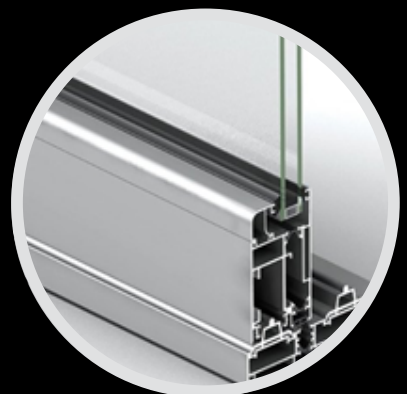
**ALUMINIUM CHEQUERED SHEETS**



**ALUMINIUM COILS**



**ALUMINIUM SHEETS**



**ALUMINIUM EXTRUSIONS**



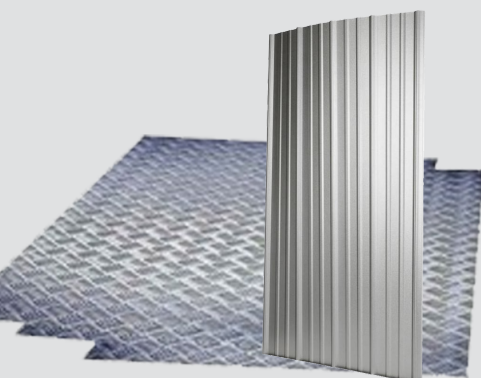
## FEATURES

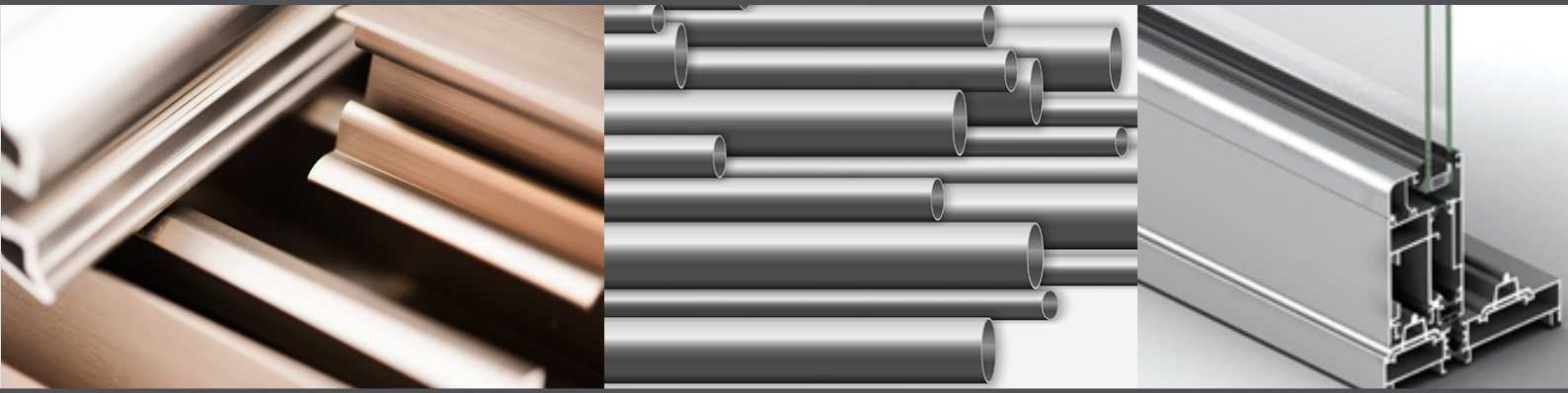
- Light Weight
- Strong
- Rust Resistant
- Fire Resistant
- Recyclable
- Reflective
- Cheap
- Long Life

## Aluminium Roofing Sheets And Chequered Sheets

We deal in the most suitable, popular, and affordable roofing and chequered sheets. Maheshwari Company has an experience of more than 40 years in this industry and provides the best quality aluminium roofing sheets. Our USP is working with pre-engineered buildings (PEB).

The aluminium roofing sheets and color coated sheets are widely considered the best roofing solutions for commercial and open places as it lasts up to 30 years with minimal maintenance and investment.





## FEATURES

- High conductivity of Heat and Electricity
- Corrosion Resistant
- Light Weight
- High Strength
- Fire Resistant
- Recyclable
- Reflective
- Cost-Friendly

## Aluminium Extrusions And Pipes

Currently, engineering designers request materials that are light, solid, and safe for consumption. The designers look for materials that meet the steady demanding underlying, warm, tasteful, and acoustic difficulties of the 21st century.

Maheshwari Co. provides aluminum pipes and extrusions that are considered strong and cost-friendly. Aluminum is mixed with different metals to frame composites that are flexible yet hold the benefits of the alloyed metals.



## FEATURES

- Easy To Maintain
- Choice Of Colors Available
- Durable
- Cost-Friendly
- No effect of UV Rays
- Long Life

## Aluminium Profiles For Windows And Doors



## Aluminium SOLAR Profiles



## FEATURES

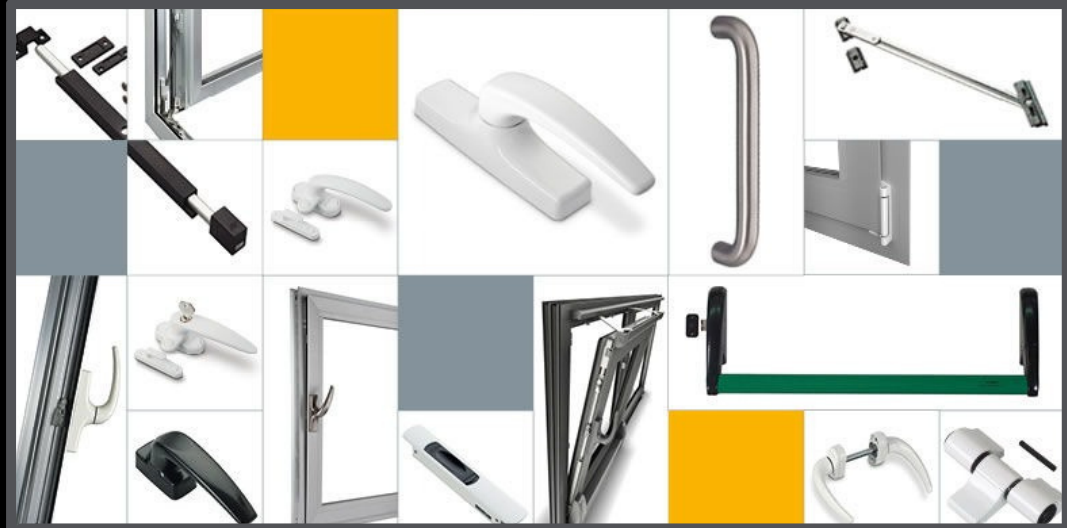
- Easy To Maintain
- Strong
- Light-Weight
- Durable
- Cost-Friendly
- No effect of UV Rays
- Long Life
- Corrosion Resistant

Aluminium Profiles are for Frames and Structural Use.

# Hardware For Aluminium Windows And Doors

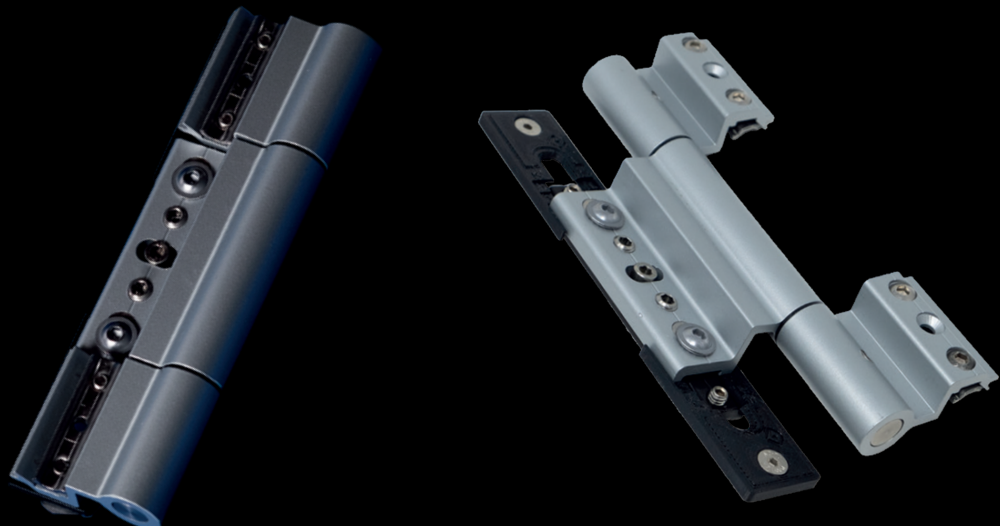
## FEATURES

- Easy To Maintain
- Durability
- Cost Friendly
- Aesthetic
- 100% Recyclable
- Easy to Install
- Strong

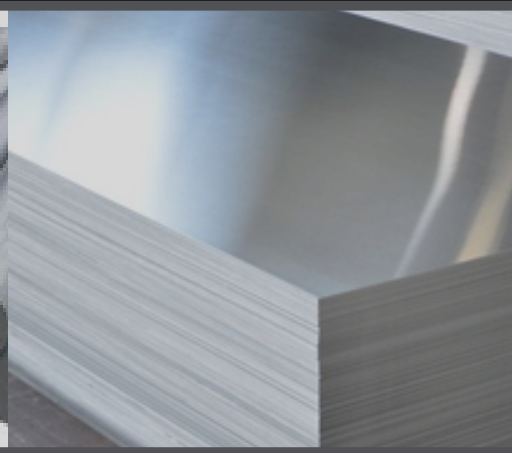
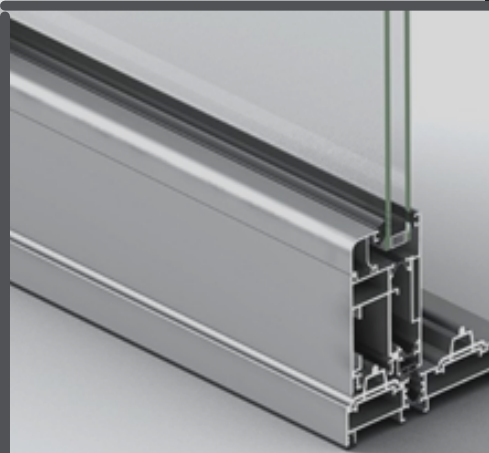


Maheshwari Co. offers a wide range of hardware fittings for Aluminium Doors and Windows.

We believe that quality is non-negotiable and is our utmost priority. Our hardware products comply with Quality and International Standards.







## Our Clients



Dhampur Sugar Mills Limited



vedanta

 bajaj hindusthan sugar ltd.



INDIAN ACRYLICS LIMITED



MILLENNIUM  
CONSTRUCTION

## **CONTACT US FOR DETAILS**

Phone: 91-11-23619933

Mobile No: 9891300031

Email: [amit.bhuraria@gmail.com](mailto:amit.bhuraria@gmail.com)

Website: [www.malc.co.in](http://www.malc.co.in)



Maheshwari Co.